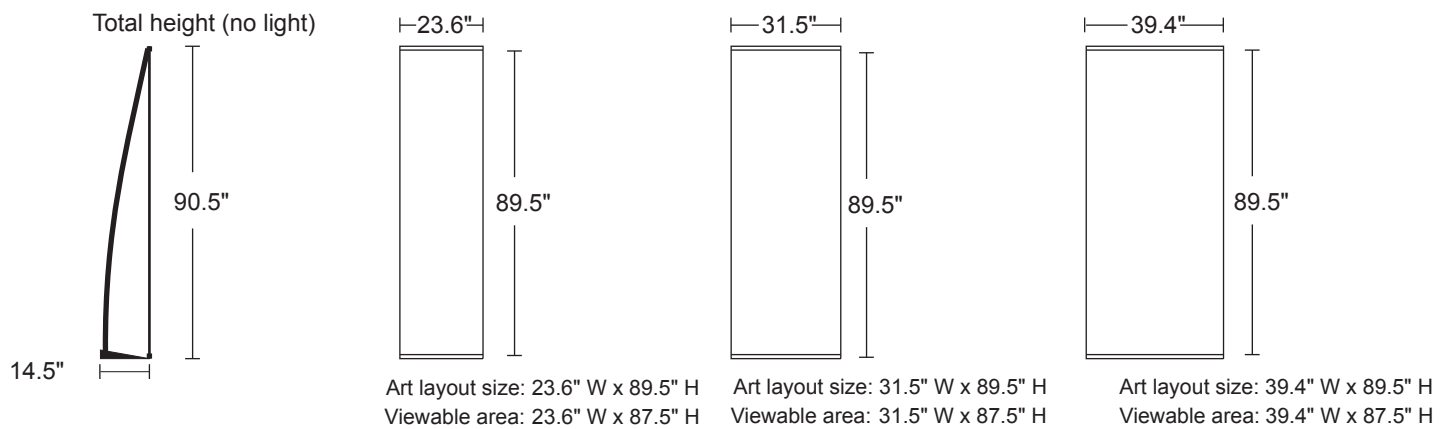
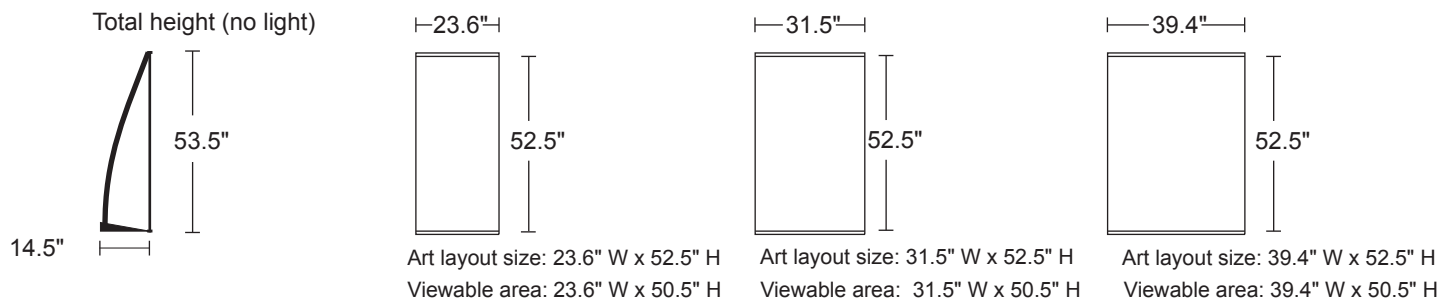


### ExpressStand with standard 89.5" pole



### ExpressStand with custom order 52.5" pole

52.5" pole is sold separately and comes in addition to the 89.5" pole.



#### NOTES:

- Critical art and text should not be within 1" of the sides and 1.25" of the top and bottom of the viewable area.
- See "Preparing Digital Files" for specific details on submitting art.
- Laminated graphics used on ExpressStands are sensitive to temperature and curl. To minimize curl it is highly recommended graphics be stored and transported in a case with at least a 6" diameter.

STAND	BOXED HARDWARE DIMENSIONS			lb/Unit
	W	H	D	
ExpressStand 23.6"	7"	5"	25"	8
ExpressStand 31.5"	7"	5"	33"	9
ExpressStand 39.4"	7"	5"	42"	9
ExpressStand (any) w/ Light	6"	6"	40"	11
ExpressStand Light	4"	3"	13"	2